



QCV Series

Professional Outdoor Speed Dome Camera



1. Fast & Silent Motion

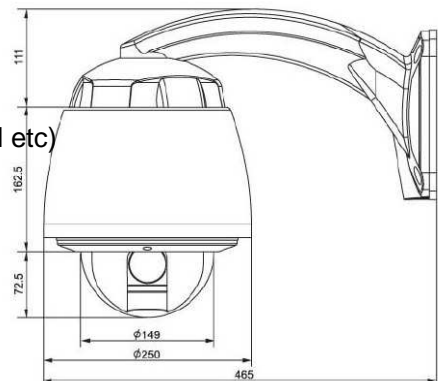
- No Accumulative Error with Preset Function
- Shortest Path By Vector Drive Technology
- High Accuracy with Micro-Stepping Control Technology
- Smooth Motion at High Zoom Magnification Mode
- Lighting Speed (max 360⁰/Sec) & Smooth Manual Speed (MIN. 0.05⁰/Sec)
- Lowest Noise & Lowest Vibration
- Endless 360⁰/Sec Pan Rotation

2. Superior Zoom Camera

- **QCV-P36S** : 432x Zoom Control (Optical 36x, Digital 12x)
- **QCV-P33T** : 396x Zoom Control (Optical 33x, Digital 12x)
- Day & Night (IR Cut Filter)

3. Powerful Functions

- Independent Preset Characteristic Setup (AE, WB and etc)
- 128 Preset Positions with Alphanumeric Labels
- 4 Patten, 8 Swing and 8 Group Functions
- 8 Privacy Zones (Spherical Coordinates)
- Auto Flip, Auto Parking, Power-up Action
- On Screen Display On/Off
- Built-in Sensor In/Out Function (4 In / 2 Out)
- Built In Fan & Heater / IP 66 Weatherproof
- Vandal Proof (Dome Cover: PC Housing & Accessories: AL)
- Network Function (Optional)



Specifications:

Model		QCV-P36S	QCV-P33T
Signal System		PAL	PAL
Camera	Image Device	¼ " SONY Exview CCD	¼ " SONY Super HAD CCD
	Effective Pixels	752[H],582[V],440 K	752[H],582[V],440 K
	H. Resolution	530 TV Lines	More than 680 TV Lines
	S/N Ratio	More than 50 dB	More than 50 dB
	Zoom	36x Optical,12x Digital	33xOptical,12x Digital
	Focal Length	f=3.4~122.4mm, F 1.6~4.5,	f=3.5~115.5mm, F 1.6~3.2,
	Min. Illumination	1.4 Lux (color)/0.01 LUX (B/W)	Day :0.4 Lux /Night :0.02 LUX
	Day & Night	Auto/Day/Night (ICR)	Auto/Day/Night(ICR)
	Focus	Auto/Manual/Semi-Auto	
	AE Mode	Auto/Iris/Shutter/Manual/Brightness	
	White Balance	Auto/Manual(Red, Blue Gain Adjustable)	
	BLC	On/Off	
	Flicker less	On/Off	

Mechanical Specification

Model		QCV-****
Pan / Tilt	Range	Pan 360 ⁰ (Endless)/Tilt 95 ⁰
	Pan/Tilt Speed	Preset : 360 ⁰ /Sec
		Manual : 0.05~360 ⁰ /Sec(Zoom Proportional)
		Swing : 1~180 ⁰ / Sec
	Preset	128 Preset with Labels
	Pattern	4 Patterns (Approx,5 minutes for each Pattern)
	Swing	8 Swings
	Group	8 Groups (Max.20 entries for each Pattern)
Other Function	Auto Flip, Auto Parking, Power-up, Action & etc	
General	Communication	Rs-485
	Protocol	Pelco-D, Pelco-P selectable
	Privacy Zone **	8 Zones
	Sensor In/Out	Built –in 4 Input/2 Output
	OSD	English on/off
	Pan/Heater	Built-in
	Power	AC Type : AC 24 V/0.6A
		DC Type : DC 12 V/1.0A
	Dimension	Dome : Ø149 mm15.9*
		Housing : 206(Ø)X235(H)mm/8.1*(Ø)9.2*(H)
Weight	Approx.5 kg/4.4 Lbs	
Operating Temp.	30 ⁰ ~50 ⁰ C/ -22~122 ⁰ F	